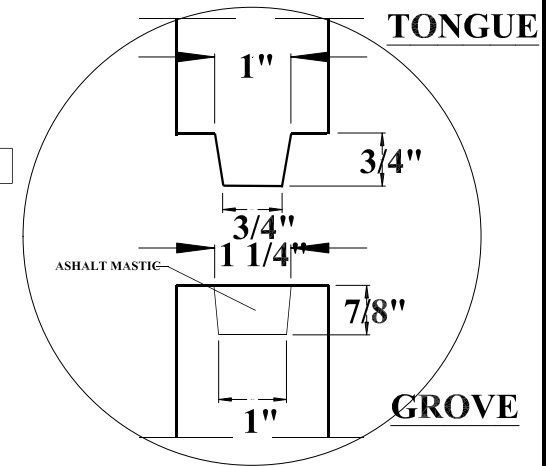
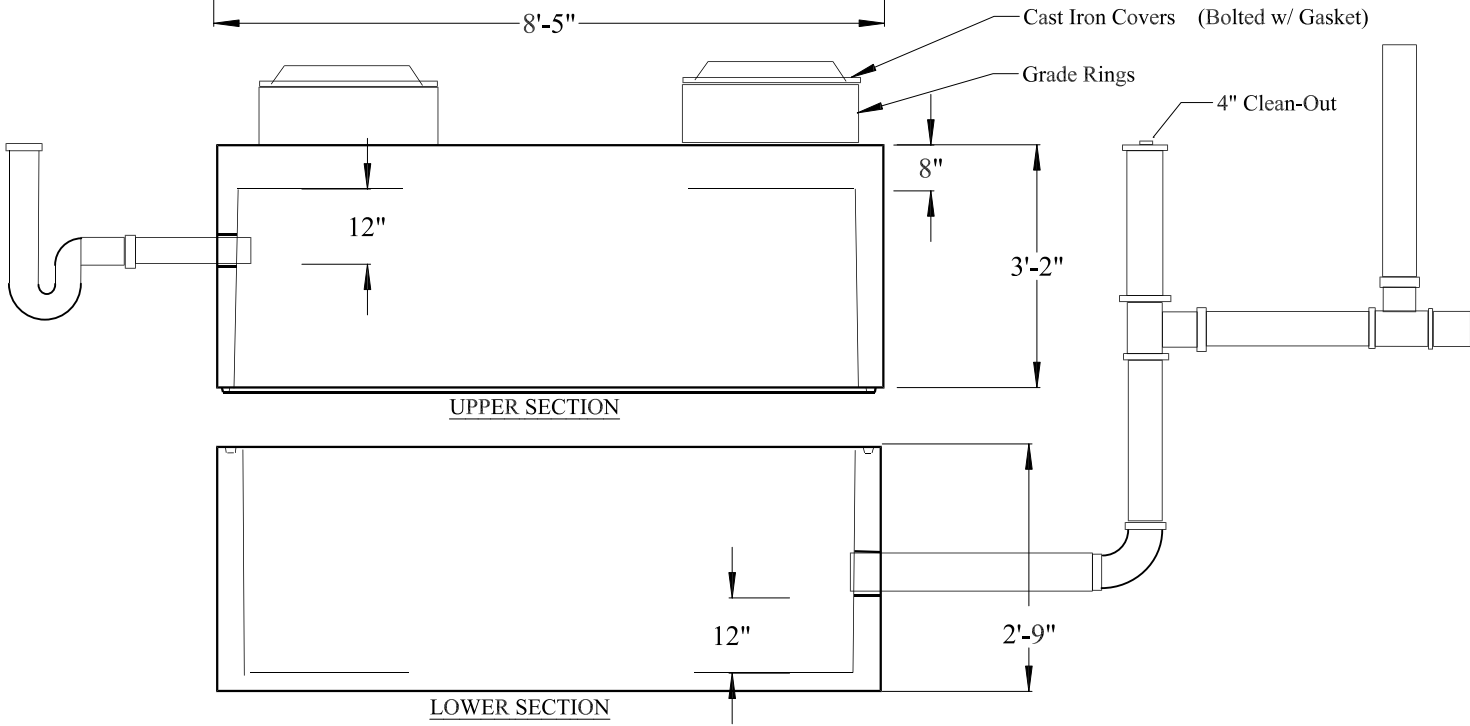


**ASSEMBLED TANK**



**JOINT DETAIL**

SCALE: NONE

1000 Gallon Heavy Top Oil Interceptor

<b>COATE CONCRETE PRODUCTS</b>	
P. O. BOX 159, WEST MILTON, OH 45383	
WEST MILTON PHONE: (937) 698-4181	
OHIO WATS PHONE: (800) 762-4066	
<b>MODEL: 1000 GALLON TANK</b>	
MATERIAL: VIBRATED CONCRETE REINFORCED W/ 6X6" 10/10 WIRE MESH & #3 (3/8") REBAR	
SCALE: 3/8" = 1'-0" UNLESS OTHERWISE NOTED	
DR. BY: RVA	DATE: 11/16/04
DWG. No: 01-1000SC-A01	SHEET 1 OF 1

NOTES:

DATE	REV.	LOC.	DESCRIPTION