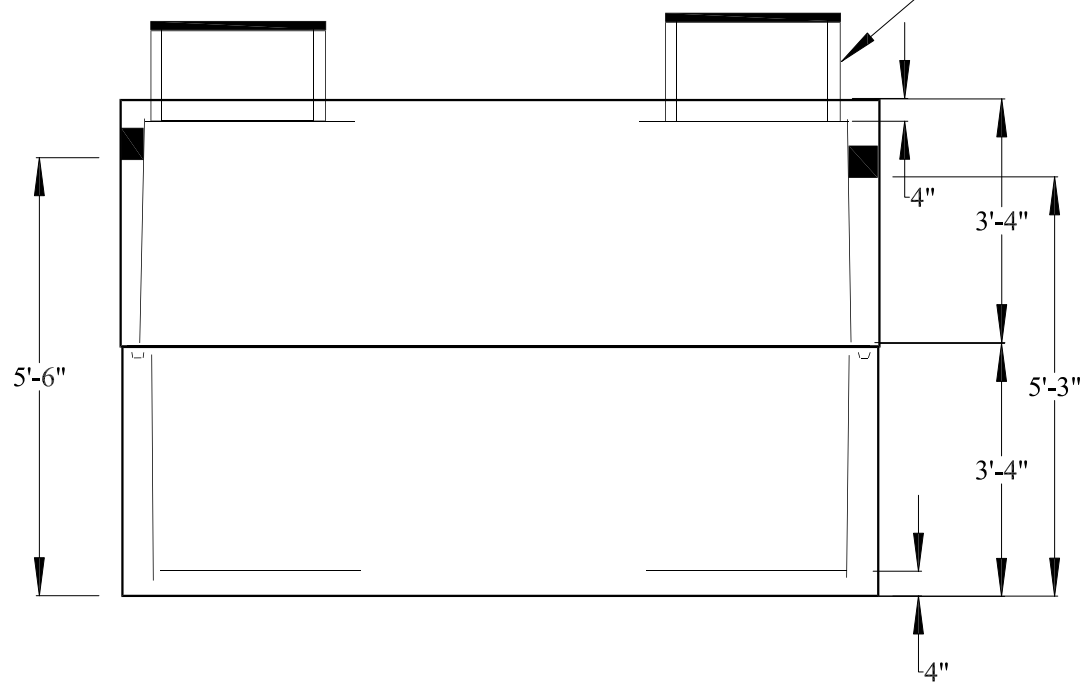
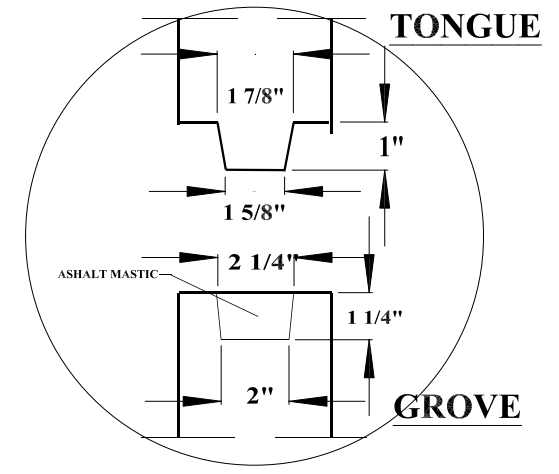


ASSEMBLED TANK



2000 GALLON SINGLE COMPARTMENT LIFT STATION
33 Gallons / Inch



JOINT DETAIL

SCALE: NONE

COATE CONCRETE PRODUCTS	
P. O. BOX 159, WEST MILTON, OH 45383	
WEST MILTON PHONE: (937) 698-4181	
OHIO WATS PHONE: (800) 762-4066	
MODEL: 2000 GAL LIFT STATION	
MATERIAL: VIBRATED CONCRETE REINFORCED W/ 6X6" 6/6 WIRE MESH & #4 (1/2") REBAR	
SCALE: 3/8" = 1'-0" UNLESS OTHERWISE NOTED	
DR. BY: RVA	DATE: 08/23/2016
DWG. No: 01-2000SC-A01	SHEET 1 OF 1

DATE	REV.	LOC.	DESCRIPTION