

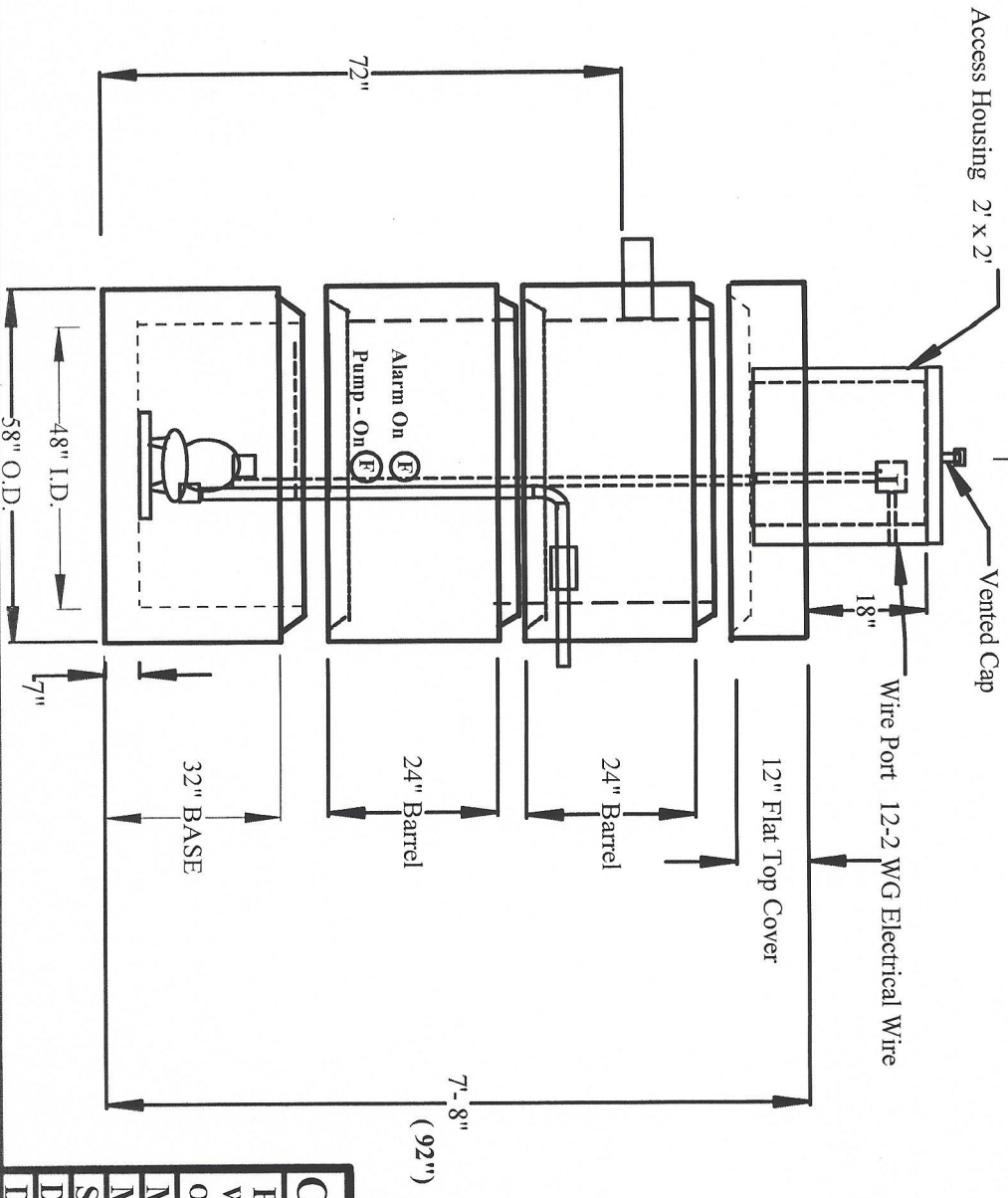
**Capacity:**

**500 Gallon Lift Station**

Specifications

**Includes:**

- 2" Pump w/Float Switch
- 2" Check Valve
- 12-2 Electric Wire
- Electrical Junction Box
- Indoor Alarm w/ Float Switch



LIFT STATION

**COATE CONCRETE PRODUCTS**  
 P. O. BOX 159, WEST MILTON, OH 45383  
 WEST MILTON PHONE: (937) 698-4181  
 OHIO WATS PHONE: (800) 762-4066

**MODEL: 500 Gallon Lift Station**  
VIBRATED CONCRETE REINFORCED W/ 4X12" 49"  
 MATERIAL: WIRE MESH & #3(3/8") REBAR

**SCALE: 3/8" = 1'-0"** UNLESS OTHERWISE NOTED

DR. BY: RA      DATE: 09/26/02  
 DWG. No: WMLH6-A0 SHEET 1 OF 1