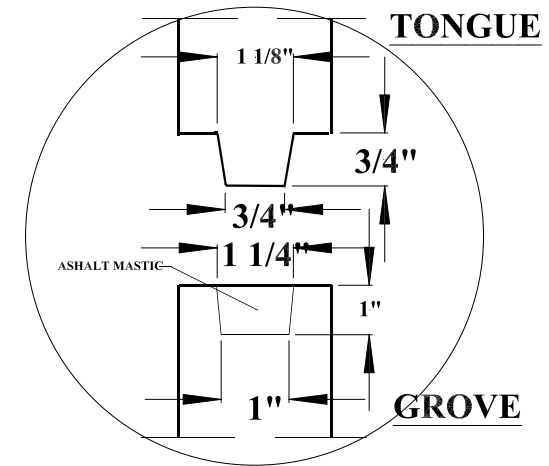
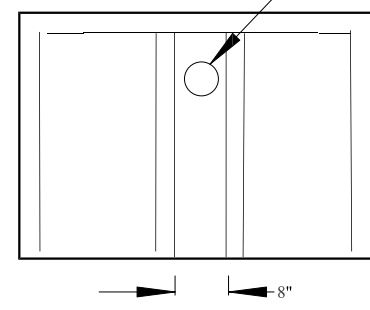


ASSEMBLED TANK

4" Dia. Rubber Boot Pipe Seals
Both Ends (2) Req'd



JOINT DETAIL

SCALE: NONE

COATE CONCRETE PRODUCTS	
P. O. BOX 159, WEST MILTON, OH 45383	
WEST MILTON PHONE: (937) 698-4181	
OHIO WATS PHONE: (800) 762-4066	
MODEL: 800 GALLON ROCK TANK	
MATERIAL: VIBRATED CONCRETE REINFORCED W/ 6X6" 10/10 WIRE MESH & #3 (3/8") REBAR	
SCALE: Not to Scale	
DR. BY: RVA	DATE: 02/18/04
DWG. No: 02-800RSC-A01	SHEET 1 OF 1

NOTES:

DATE	REV.	LOC.	DESCRIPTION