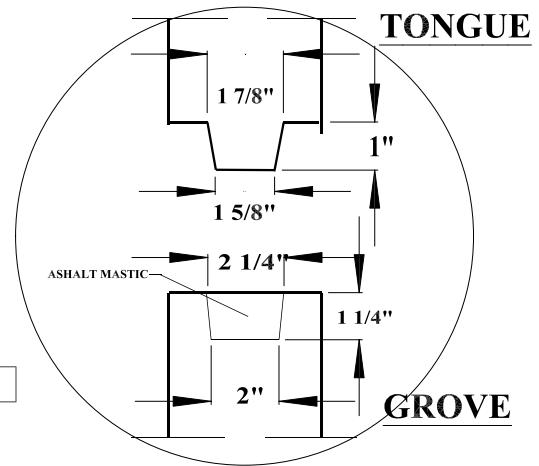
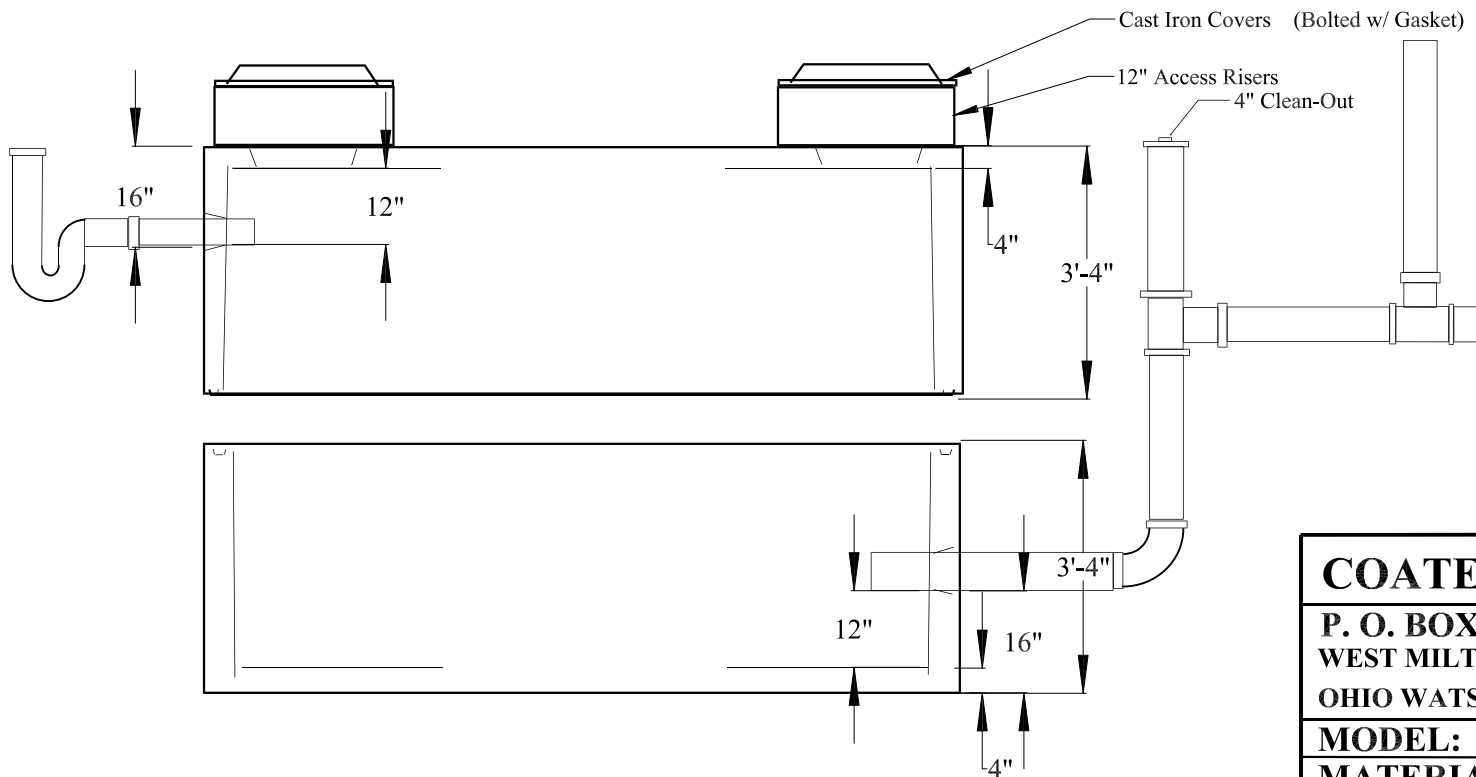


ASSEMBLED TANK



JOINT DETAIL

SCALE: NONE

COATE CONCRETE PRODUCTS

P. O. BOX 159, WEST MILTON, OH 45383

WEST MILTON PHONE: (937) 698-4181

OHIO WATS PHONE: (800) 762-4066

MODEL: 1500 Gal Oil Interceptor

MATERIAL: VIBRATED CONCRETE REINFORCED W/ 6X6" 10/10 WIRE MESH & #3 (3/8") REBAR

SCALE: 3/8" = 1'-0" UNLESS OTHERWISE NOTED

DR. BY: RVA

DATE: 04/05/05

DWG. No: 01-1500SC-A01

SHEET 1 OF 1

DATE	REV.	LOC.	DESCRIPTION