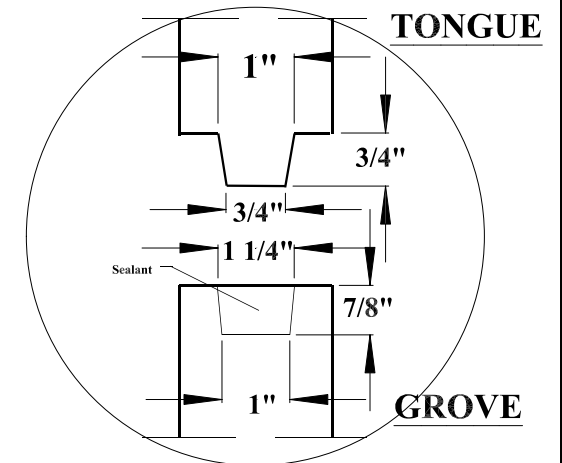
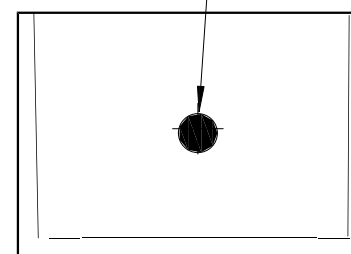
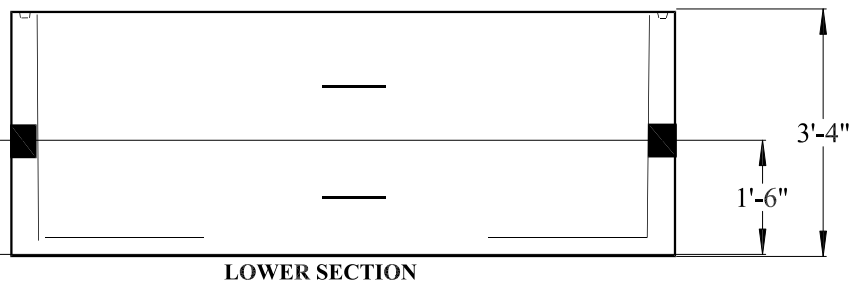
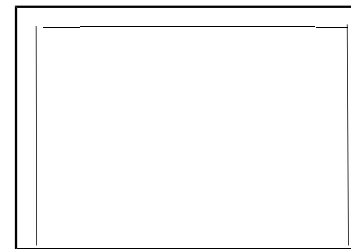
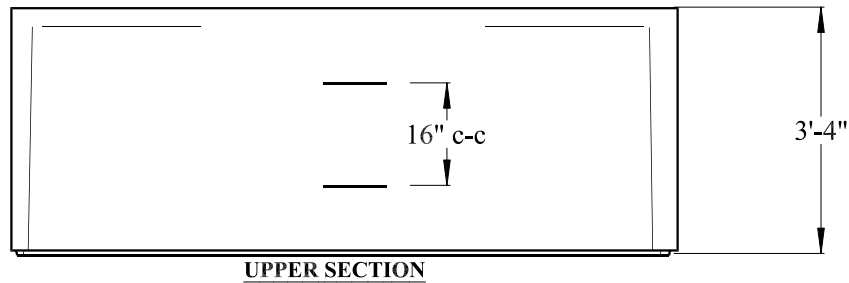


ASSEMBLED TANK



JOINT DETAIL

SCALE: NONE

Meter Pit

COATE CONCRETE PRODUCTS

P. O. BOX 159, WEST MILTON, OH 45383
WEST MILTON PHONE: (937) 698-4181

OHIO WATS PHONE: (800) 762-4066

MODEL: 1500 Gallon Meter Pit

MATERIAL: VIBRATED CONCRETE REINFORCED W/ 6X6" 6/6 WIRE MESH & #4 (1/2") REBAR

SCALE: NTS

UNLESS OTHERWISE NOTED

DR. BY: RVA

DATE: 05/17/02

DWG. No: 01-1500SC-A01

SHEET 1 OF 1

DATE	REV.	LOC.	DESCRIPTION